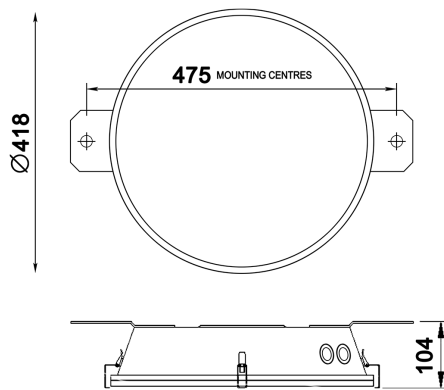


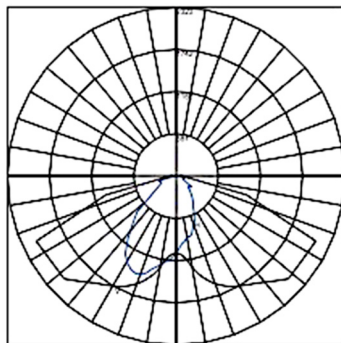


5 Year Warranty




POLAR CURVE

MTSL220SC75N



Maximum Candela = 4750
Located At Horizontal Angle = -15, Vertical Angle = -42.5
H - Horizontal Axial Candela
V - Vertical Axial Candela

SPECIFICATIONS

- 316 Stainless steel housing
- Corrosion resistant
- Rated to IP66
- Vossloh LED's and Driver 
- Wattage: 30W
- Instant ON/OFF switch
- Supply voltage: 220V-240V
- Acrylic refractor lens

DIMENSIONS

- 104mm(H) x 418mm(Dia)
- Weight: 5.7KG

OPTIONS

- Colour: 3000K or 5000K
- Turtle friendly
- 3 hours auxiliary lighting in the event of power failure