

# Ultraled Junior LED Recessed

RECESSED HIGH BAY WITH REFRACTOR OPTIC

**WADCO**<sup>®</sup>  
LIGHTING  
*Built tough™*



## Applications

- Food and beverage processing facilities
- Industrial lighting

## Specifications

- Powder coated aluminum cast
- Wattage: 155W/228W
- Weight: 11.4kg
- Lumens: 18945/27180
- Supply voltage: 220V–240V
- 640mm Trim / 590mm Cut out  
See diagram for full dimensions

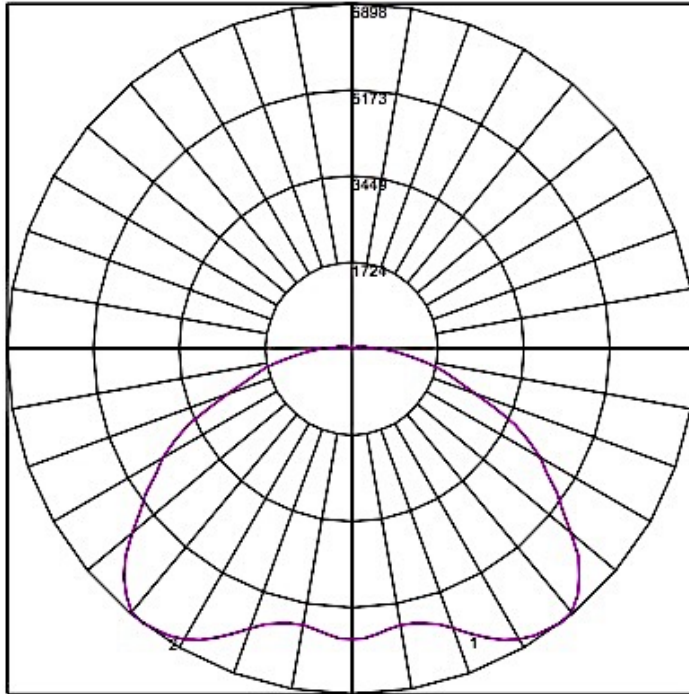
## Features

- High quality passive thermal heat sink
- Toughened prismatic acrylic refractor, engineered for the ultimate in glare control
- Sealed optical chamber
- Engineered for 100mm Sandwich panel ceilings
- Excellent vertical and horizontal illumination
- Instant switch ON /OFF
- Remote LED driver box

Standard 5 year Warranty

## Polar Curve

PHOTOMETRIC FILENAME : UXJL228C75N



Maximum Candela = 6897.884

Located At Horizontal Angle = 0, Vertical Angle = 37.5

# 1 - Vertical Plane Through Horizontal Angles (90 - 270)

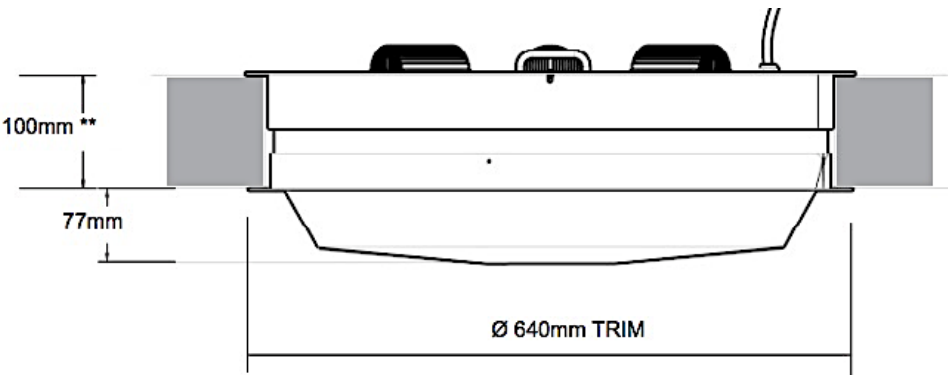
# 2 - Vertical Plane Through Horizontal Angles (180 - 0)

## Options

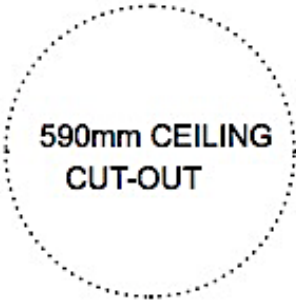
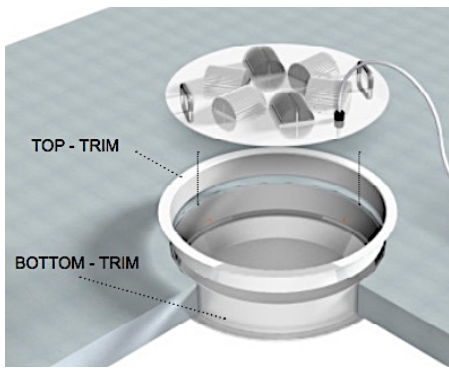
- Retrofit into existing ceiling cutouts
- 150mm ceiling panel on request
- Stainless steel trims on request
- Dali and 1-10V analogue dimming
- Auxiliary lighting feature in the event of power failure



# Dimensions



\*\*150mm Depth trim kit available on request



# Ordering Guide

MODEL				WATTAGE			LAMP SOURCE	LAMP CRI	LAMP COLOUR TEMPERATURE	DIMMING OPTION	AUXILIARY EMERGENCY
1	2	3	4	5	6	7	8	9	10	11	12
U	X	J	R	2	2	8					A
				1	5	5					
				* DRIVE CURRENT DERATING AVAILABLE			C - COB LED	7 - CR170 *	3 - 3000K	A - ANALOGUE	PLEASE SPECIFY ONLY WHERE REQUIRED
							8 - CR180 *	4 - 4000K	D - DALI		
								5 - 5000K	N - NON DIMMING		



**WADCO**<sup>®</sup>  
LIGHTING  
*Built tough*<sup>™</sup>

**+61 7 3897 3700**  
**wadco@qmi.net.au**  
**www.wadco.com.au**



Australian made and owned  
Trusted since 1975