

# Decaled

INDUSTRIAL BULKHEAD LUMINAIRE

**WADCO**<sup>®</sup>  
LIGHTING  
*Built tough™*



Standard 5 year Warranty

## Applications

- Food and beverage processing facilities
- Industrial lighting
- Manufacturing plants
- Warehouses
- Workshops

## Specifications

- Aluminium
- Wattage: 70W/104W
- 415mm(Dia) x 548mm(H)
- Weight: 8.6kg
- Lumens: 7003/9864
- Supply voltage: 220V-240V

## Options

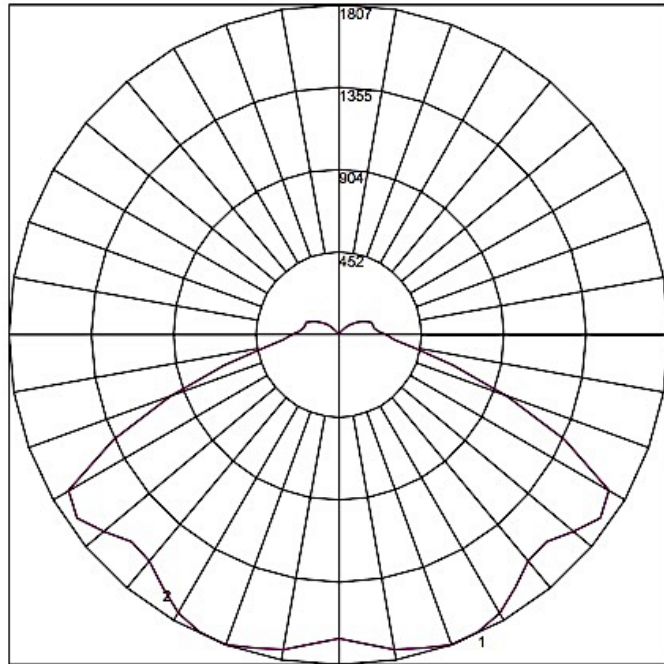
- LED retrofit kit
- Emergency lighting



Australian made and owned  
Trusted since 1975

## Polar Curve

104W FIXTURE # CODE - DCL104C75N



Maximum Candela = 1807.08

Located At Horizontal Angle = 0, Vertical Angle = 20

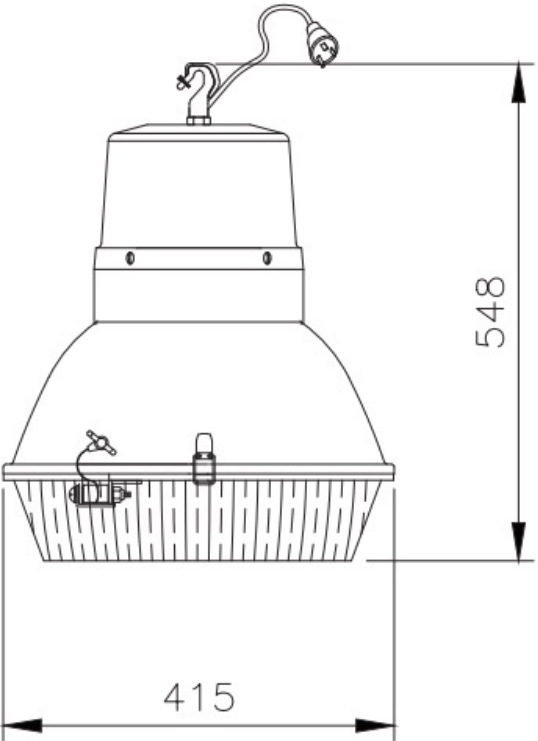
# 1 - Vertical Plane Through Horizontal Angles (90 - 270)

# 2 - Vertical Plane Through Horizontal Angles (180 - 0)



Australian made and owned  
Trusted since 1975

# Dimensions



# Ordering Guide

MODEL			WATTAGE			LAMP SOURCE	LAMP CRI	LAMP COLOUR TEMPERATURE	DIMMING OPTION	AUXILIARY EMERGENCY
1	2	3	4	5	6	7	8	9	10	11
D	C	L	1	0	4					A
			* DRIVE CURRENT DERATING AVAILABLE			C - COB LED	7 - CRI70 ^	3 - 3000K	A - ANALOGUE	PLEASE SPECIFY ONLY WHERE REQUIRED
							8 - CRI80 ^	4 - 4000K	D - DALI	
								5 - 5000K	N - NON DIMMING	

\* Please contact our sales team for fixed-drive current options to enable derating of the lumen package where required  
 ^ Min CRI 70 Supplied unless otherwise specified



**WADCO**<sup>®</sup>  
LIGHTING  
*Built tough*<sup>™</sup>

**P:** +61 7 3897 3700  
**E:** [wadco@qmi.net.au](mailto:wadco@qmi.net.au)  
**W:** [www.wadco.com.au](http://www.wadco.com.au)



Australian made and owned  
Trusted since 1975