

Viper

PERFORMANCE ADAPTABLE OPTIC - LED FLOOD

WADCO[®]
LIGHTING
Built tough™



Standard 5 year Warranty

Applications

- Corrosive environments
- Floodlighting in arduous environments
- Industrial lighting
- Low bay lighting (with bracket option)
- Outdoor lighting
- Tunnel / Walkway lighting
- Wash plants
- Wharfs
- Workshops

Specifications

- Die cast aluminium
- Wattage: 50W / 70W
- 328mm(L) x 198mm(H) x 277mm(D)
- Weight: 5kg
- Lumens: 5985 / 7479
- Supply voltage: 220V-240V
- Body & driver sealed to IP67
- Wide operating temperature range of -50° to +70°C

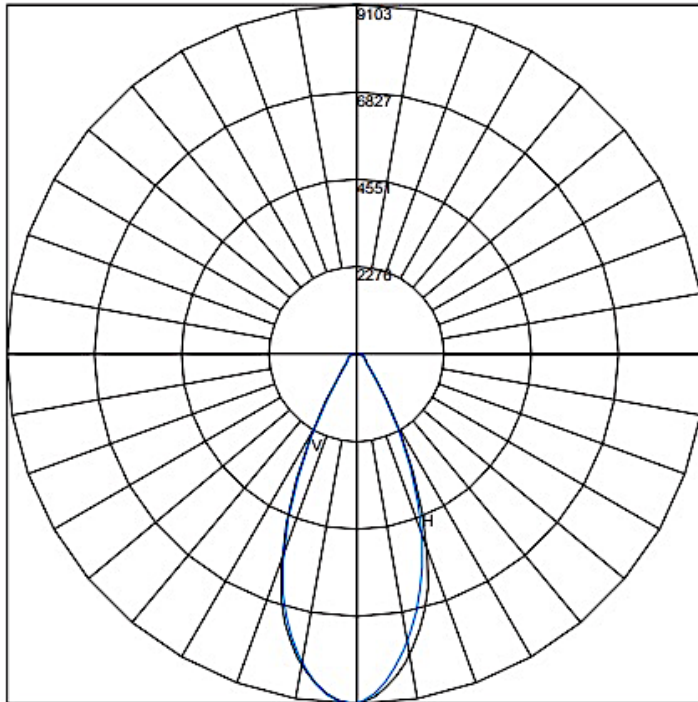
Features

- Compact design
- Adjustable 316 Stainless steel trunion arm
- integrated heat sink
- Ultra long life LED
- Advanced Glare control on standard optic
- LED module isolated from driver for long life and improved performance



Polar Curve

70W FIXTURE # CODE - VIP70S65N45



Maximum Candela = 9102.703

Located At Horizontal Angle = 0, Vertical Angle = -1

H - Horizontal Axial Candela

V - Vertical Axial Candela

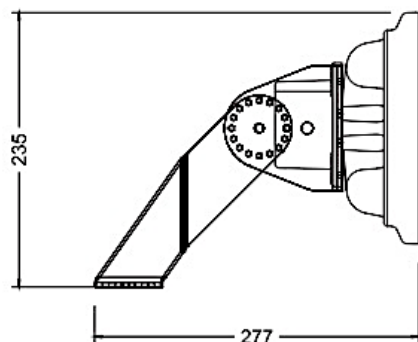
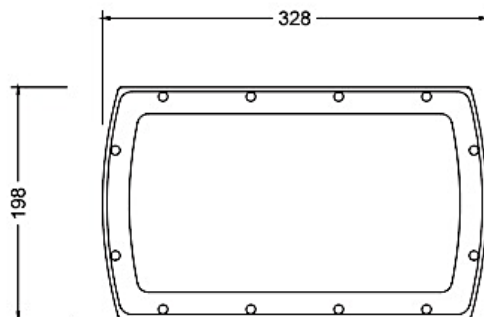
Options

- 30,45 and 90 Degree secondary optics available
- Impervious coating available on request
- Photo control available for energy savings
- “Turtle friendly”



Australian made and owned
Trusted since 1975

Dimensions



Ordering Guide

MODEL	WATTAGE	LAMP SOURCE	LAMP CRI	LAMP COLOUR TEMPERATURE	DIMMING OPTION	AUXILIARY EMERGENCY	OPTICAL - ARRANGEMENT	CONICAL - BEAM ANGLE
V I P	7 0	S				A		
	5 0	S - SMD LED	6 - CRI60*	3 - 3000K	A - ANALOGUE		3	0
	* DRIVE CURRENT DERATING AVAILABLE			4 - 4000K	D - DALI	PLEASE SPECIFY ONLY WHERE REQUIRED	4	5
				5 - 5000K	N - NON DIMMING		9	0



Australian made and owned
 Trusted since 1975

WADCO[®]
LIGHTING
Built tough[™]

+61 7 3897 3700
wadco@qmi.net.au
www.wadco.com.au



Australian made and owned
Trusted since 1975