

Ultraled

INDUSTRIAL BULKHEAD LUMINAIRE

WADCO[®]
LIGHTING
Built tough™



Applications

- Industrial lighting
- Warehouses Workshops

Specifications

- Aluminium
- Wattage: 155W/228W
- 740mm(Dia) x 820mm(H)
- Weight: 12.4kg
- Lumens: 19000/27127
- Supply voltage: 120V-277V

Options

- Surface mount
- LED retrofit kit
- Emergency lighting

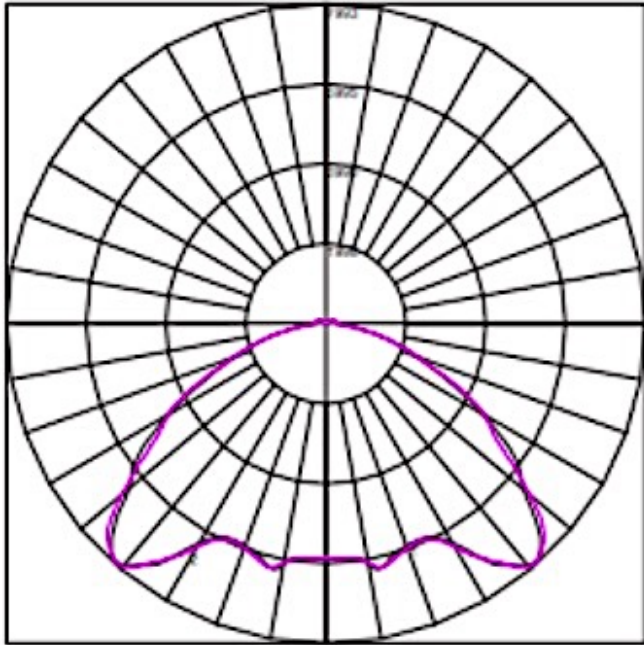
Standard 5 year Warranty



Australian made and owned
Trusted since 1975

Polar Curve

228W FITTING # CODE - UXL228SC75N



Maximum Candela = 7992.724

Located At Horizontal Angle = 22.5, Vertical Angle = 41

1 - Vertical Plane Through Horizontal Angles (90 - 270)

2 - Vertical Plane Through Horizontal Angles (180 - 0)

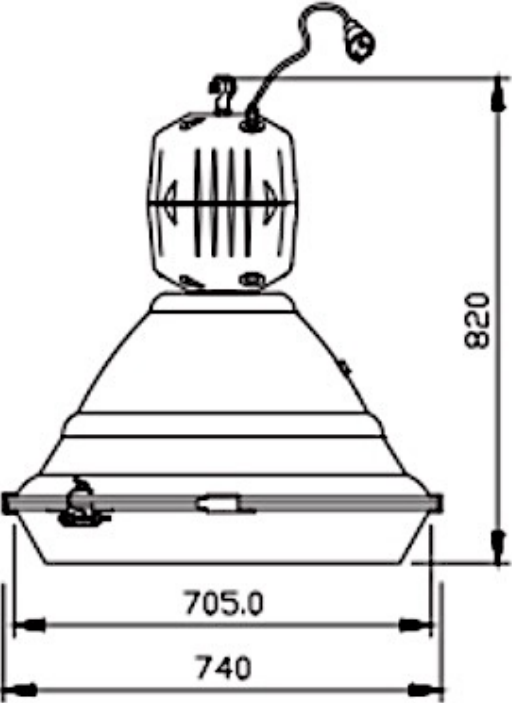


WADCO[®]
LIGHTING
Built tough™



Australian made and owned
Trusted since 1975

Dimensions



Ordering Guide

MODEL			WATTAGE			LAMP SOURCE	LAMP CRI	LAMP COLOUR TEMPERATURE	DIMMING OPTION	AUXILIARY EMERGENCY
1	2	3	4	5	6	7	8	9	10	11
U	X	L	2	2	8					A
			1	5	5	C - DOB LED	7 - CRI90*	3 - 3000K	A - ANALOGUE	PLEASE SPECIFY ONLY WHERE REQUIRED
							8 - CRI80*	4 - 4000K	D - DALI	
								5 - 5000K	N - NON DIMMING	

* DRIVE CURRENT DERATING AVAILABLE



Australian made and owned
 Trusted since 1975

WADCO[®]
LIGHTING
Built tough[™]

P: +61 7 3897 3700

E: wadco@qmi.net.au

W: www.wadco.com.au



Australian made and owned
Trusted since 1975