

# Titanium High Bay

Compact forged alloy High bay

**WADCO**<sup>®</sup>  
LIGHTING  
*Built tough™*



## Applications

- Big box retail
- Indoor sports centres
- Industrial lighting
- Warehouses
- Workshops

## Specifications

- Forged alloy
- 150W  
163mm(H) x 280mm(D)
- 180W  
174.5mm(H) x 280mm(D)
- Weight: 3.5kg / 4.3kg
- Lumens: 22500 / 27000
- Supply voltage: 100V-277V
- IP65

## Options

- Alternative mounting brackets
- Customizable ring color
- Dali Diming
- Distribution options (60°, 90° and 120°)
- Emergency option
- Motion and Daylight sensor control
- “Turtle friendly”

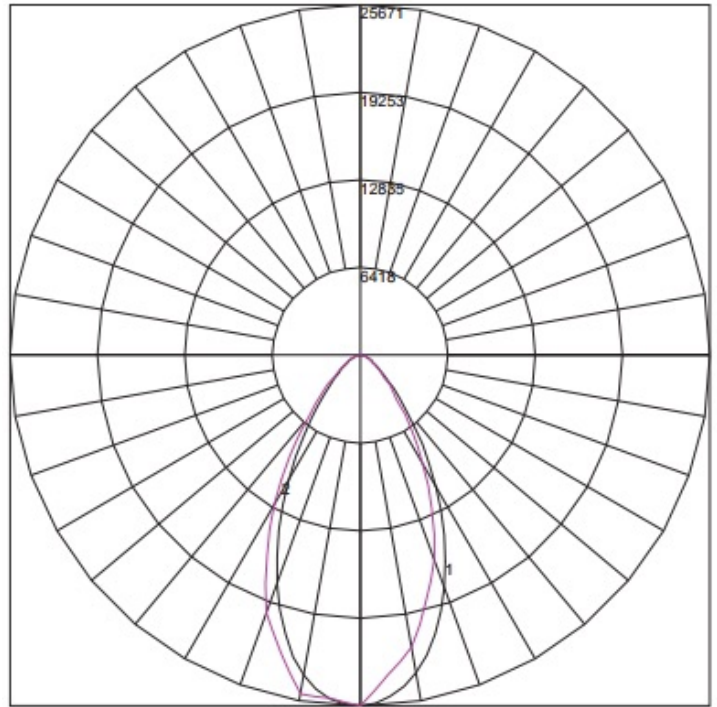


Low glare - refractor option

**Standard 5 year Warranty**

# Polar Curve

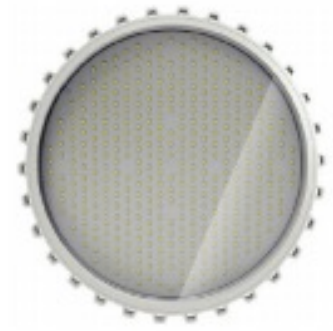
180W FIXTURE # CODE - TTN180S75N



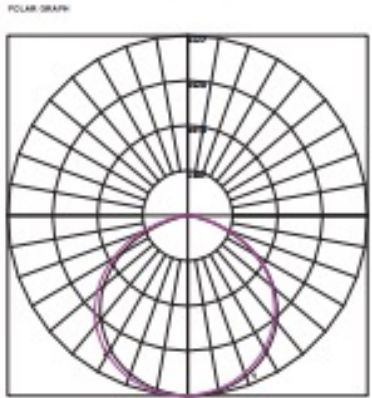
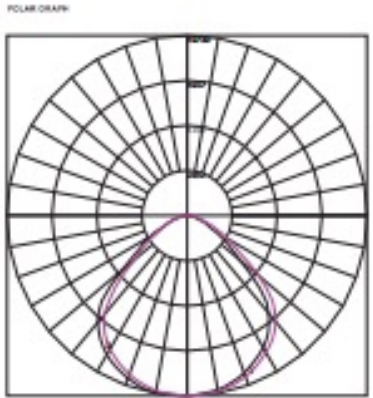
Maximum Candela = 25670.56  
Located At Horizontal Angle = 0, Vertical Angle = 0  
# 1 - Vertical Plane Through Horizontal Angles (90 - 270)  
# 2 - Vertical Plane Through Horizontal Angles (180 - 0)



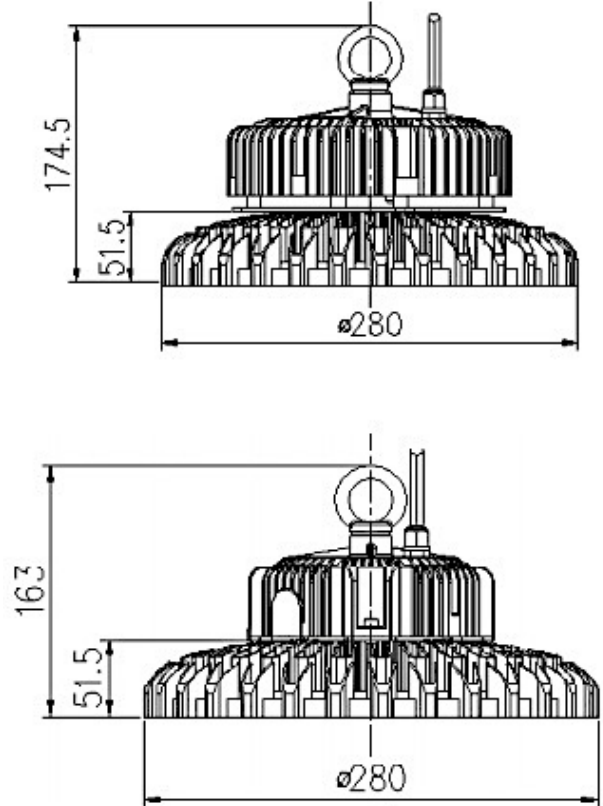
90 Degree Optical



120 Degree Optical



# Dimensions



# Ordering Guide

MODEL			MOUNTING TYPE			WATTAGE			LAMP SOURCE	LAMP CRI	LAMP COLOUR TEMPERATURE	DIMMING OPTION	AUXILIARY EMERGENCY	MULTI SENSOR
T	T	N	S			1	8	0	C				A	S
			W	Wide beam (120Deg)		1	5	0	S - SMD LED	7 - CRI70 ^	4 - 4000K	A - ANALOGUE	PLEASE SPECIFY ONLY WHERE REQUIRED	
			S	Standard beam (90Deg)							5 - 5000K	D - DALI		
			N	Narrow beam (8 optic)								N - NON DIMMING		

**WADCO**<sup>®</sup>  
LIGHTING  
*Built tough*<sup>™</sup>

**P:** +61 7 3897 3700

**E:** [wadco@qmi.net.au](mailto:wadco@qmi.net.au)

**W:** [www.wadco.com.au](http://www.wadco.com.au)



Australian made and owned  
Trusted since 1975