

# WADCO - Storm

Universal Surface Mount - High efficiency SMD LED

**WADCO**<sup>®</sup>  
LIGHTING  
*Built tough™*



Standard 3 year Warranty

## Applications

- General commercial and industrial lighting
- Corridors
- Landings,
- Stairwells and walkways
- Security lighting,
- Entrances and exits

## Specifications

- Aluminum Alloy Housing + PC cover
- Wattage: 20W
- 325mm(L) x 97mm(H) x 100mm(W)
- Weight: 1.1kg
- Lumens: 1750
- Supply voltage: 180V-240V
- Long life LED 50,000 hours
- Rated IP65

## Options

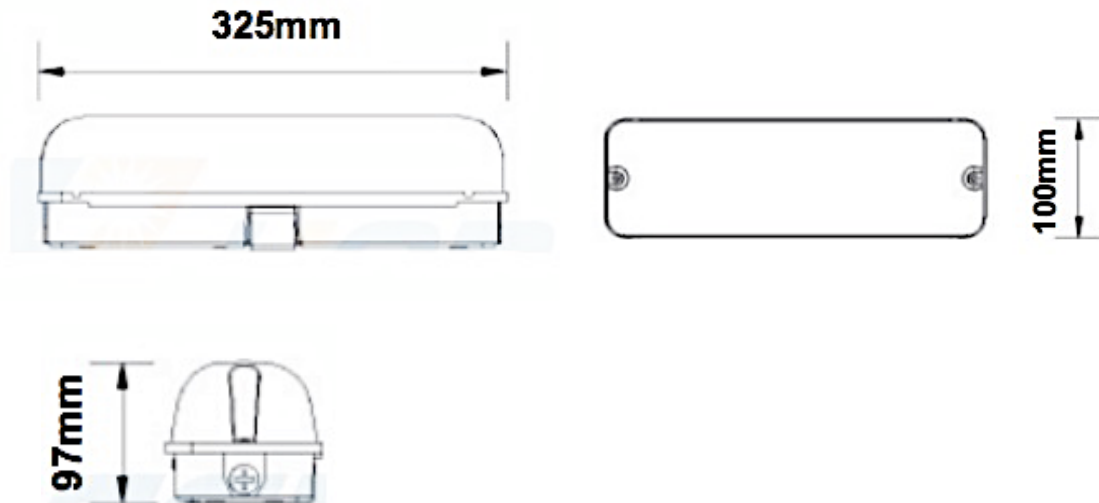
- 3000k, 4000k, 6000K Colour temperature options



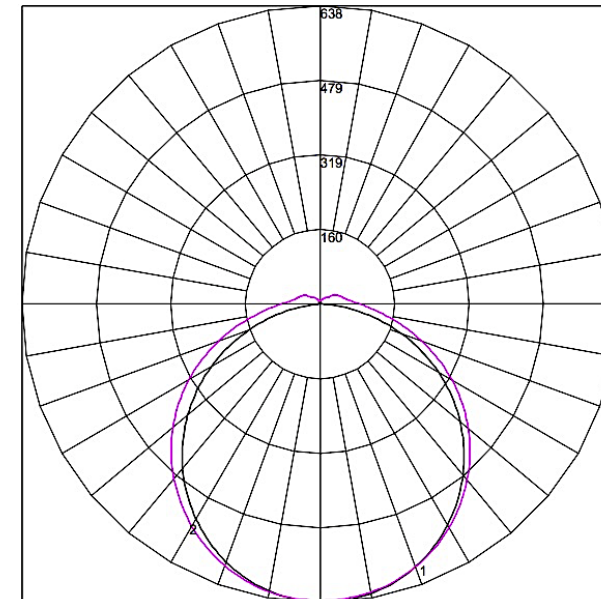
# Storm – Universal Surface Mount

## Dimensions

Weight: 1.1kg



## Polar Curve



Maximum Candela = 638.19  
Located At Horizontal Angle = 90, Vertical Angle = 1  
# 1 - Vertical Plane Through Horizontal Angles (90 - 270)  
# 2 - Vertical Plane Through Horizontal Angles (180 - 0)

# Storm Ordering Codes

MODEL				MOUNTING TYPE		WATTAGE		LAMP SOURCE	LAMP CRI	LAMP COLOUR TEMPERATURE	DIMMING OPTION	MULTI SENSOR	
D	L	E	D			2	0	S				S	
								S - SMD LED	8 - CRIB0 ^	3 - 3000K 4 - 4000K 6 - 6000K	A - ANALOGUE D - DALI N - NON DIMMING		



Australian made and owned  
Trusted since 1975

**WADCO**<sup>®</sup>  
LIGHTING  
*Built tough*<sup>™</sup>

+61 7 3897 3700  
wadco@qmi.net.au  
www.wadco.com.au



Australian made and owned  
Trusted since 1975