

Rondaled

ROUND FORM - SURFACE MOUNT HIGH BAY WITH REFRACTOR OPTIC

WADCO[®]
LIGHTING
Built tough™



Applications

- Food and beverage processing facilities
- Freezers and cool rooms

Specifications

- Aluminium
- Wattage: 160W
- 575mm(Dia) x 300mm(H)
- Weight: 9.2kg
- Lumens: 20,184
- Supply voltage: 220V-240V

Options

- Surface mount
- LED retrofit kit
- Emergency lighting

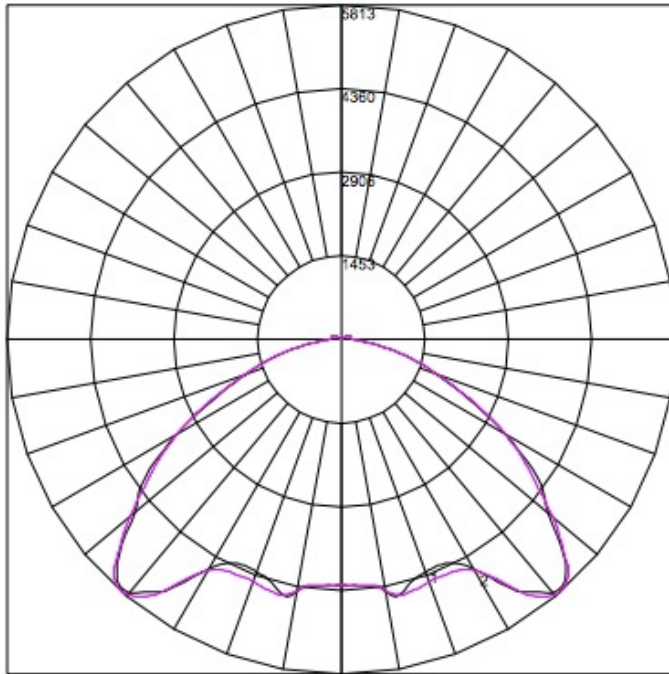
Standard 5 year Warranty



Australian made and owned
Trusted since 1975

Polar Curve

160W FIXTURE # CODE - RDL160C75N



Maximum Candela = 5812.89

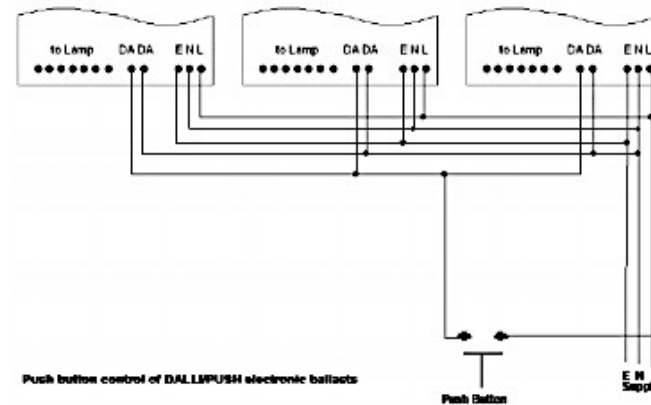
Located At Horizontal Angle = 22.5, Vertical Angle = 41

1 - Vertical Plane Through Horizontal Angles (90 - 270)

2 - Vertical Plane Through Horizontal Angles (45 - 225)

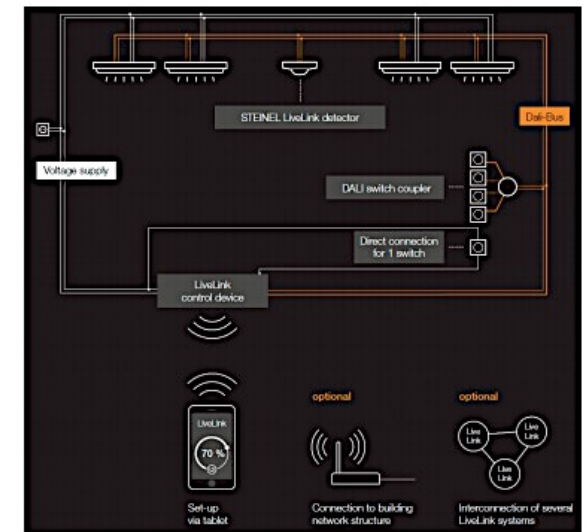
PROVISION FOR DIMMING CONTROL SYSTEMS

When specifying Dali dimmable drivers control options vary from fully integrated building management systems to switch-dim control below



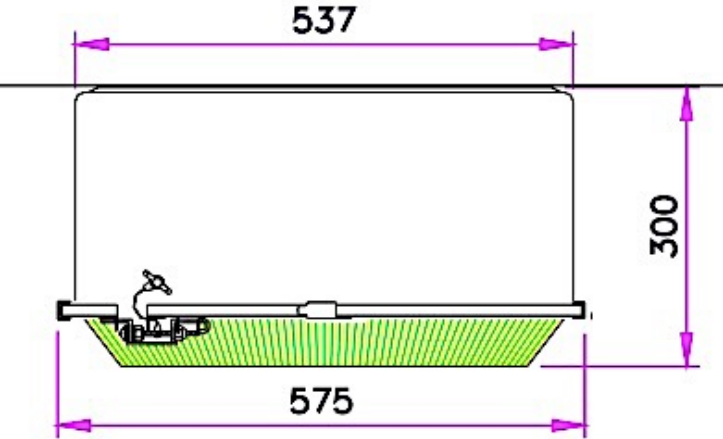
An alternative is the “LiveLink” option enabling tablet control. Simple ancilliary control systems and hardware eliminate the need for complex Dali knowledge

LiveLink System



Australian made and owned
Trusted since 1975

Dimensions



Ordering Guide

MODEL			WATTAGE			LAMP SOURCE	LAMP CRI	LAMP COLOUR TEMPERATURE	DIMMING OPTION	AUXILIARY EMERGENCY		
1	2	3	4	5	6	7	8	9	10	11		
R	D	L	1	6	0					A		
* DRIVE CURRENT DERATING AVAILABLE						C - COB LED	7 - CRI70 *	3 - 3000K	A - ANALOGUE	PLEASE SPECIFY ONLY WHERE REQUIRED		
							8 - CRI80 *	4 - 4000K	D - DALI			
								5 - 5000K	N - NON DIMMING			



WADCO[®]
LIGHTING
Built tough[™]

P: +61 7 3897 3700

E: wadco@qmi.net.au

W: www.wadco.com.au



Australian made and owned
Trusted since 1975