

Premaled

DURABLE BULKHEAD LUMINAIRE – SUITABLE FOR MANY DIFFERENT APPLICATIONS

WADCO[®]
LIGHTING
Built tough™



Standard 5 year Warranty

Applications

- Access stairways
- Carpark and garage areas
- Fire escape tunnels
- Security lighting

Specifications

- Die Cast Aluminium
- Wattage: 60W
- 463mm(L) x 229mm(H) x 239mm(Depth)
- Weight: 7.2kg
- Lumens: 5567
- Supply voltage: 220V-240V
- 4K and 5K LED CRI 70+
- IP65 rated

Options

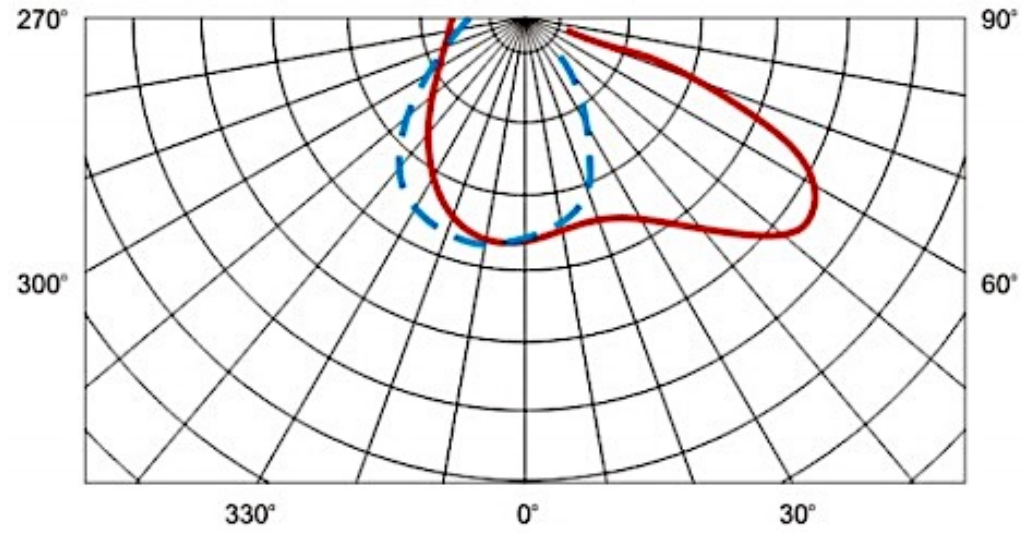
- LED retrofit kit
- Dali Diming
- Emergency lighting
- “Turtle friendly”



Australian made and owned
Trusted since 1975

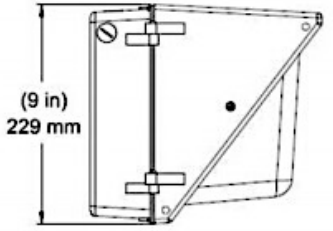
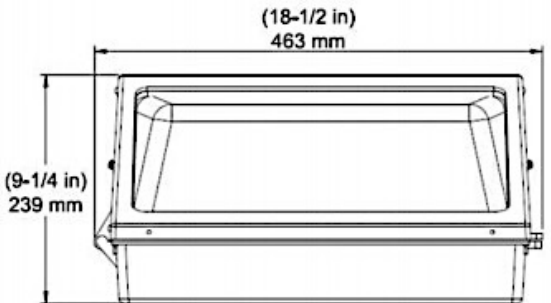
Polar Curve

60W FIXTURE # CODE - PML60S75N



Australian made and owned
Trusted since 1975

Dimensions



Ordering Guide

MODEL			WATTAGE		LAMP SOURCE	LAMP CRI	LAMP COLOUR TEMPERATURE	DIMMING OPTION	AUXILIARY EMERGENCY
P	M	L	6	0	S				A
			6	4	AUX				
			* DRIVE CURRENT DERATING AVAILABLE		S - SMD LED	7 - CRI70*	3 - 3000K	A - ANALOGUE	
							4 - 4000K	D - DALI	PLEASE SPECIFY ONLY WHERE REQUIRED
							5 - 5000K	N - NON DIMMING	



WADCO[®]
LIGHTING
Built tough[™]

P: +61 7 3897 3700

E: wadco@qmi.net.au

W: www.wadco.com.au



Australian made and owned
Trusted since 1975