

Handiled

INDUSTRIAL BULKHEAD LUMINAIRE

WADCO[®]
LIGHTING
Built tough™



Die cast aluminium

Applications

- Conveyors
- Ship loaders
- Stacker reclaimers
- Transfer towers
- Walkways
- Wash plants

Specifications

- Stainless steel or Cast aluminium
- Wattage: 30W/32W
- 250mm(Dia) x 260mm(H)
- Weight: 5kg
- Lumens: 2750
- Supply voltage: 220V–240V

Options

- LED retrofit kit
- Emergency lighting
- “Turtle friendly”

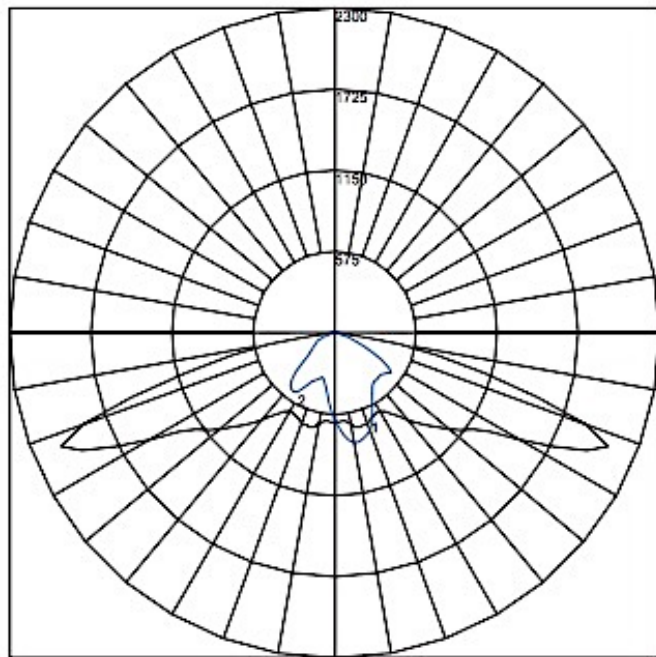
Standard 5 year Warranty



Australian made and owned
Trusted since 1975

Polar Curve

30W FIXTURE # CODE – HLKS30



Maximum Candela = 3708.193

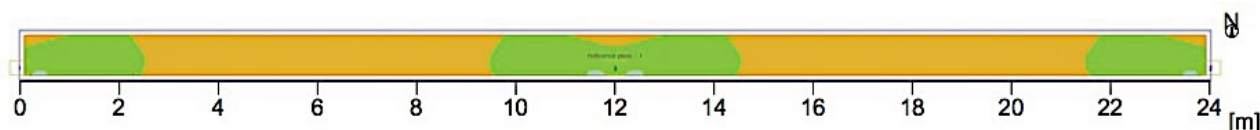
Located At Horizontal Angle = 80, Vertical Angle = 70

1 - Vertical Plane Through Horizontal Angles (90 - 270)

2 - Vertical Plane Through Horizontal Angles (180 - 0)

TYPICAL 30W HANDILED INSTALLATION

12m POLE CENTRES - 1m WIDE WALKWAY



General

Calculation algorithm used
photometric centre height
Maintenance factor

Average indirect fraction

2.40 m
0.80

Total luminous flux of all lamps
Total power
Total power per area (24.00 m²)

8100 lm
90.0 W
3.75 W/m² (7.97 W/m²/100lx)

Evaluation area 1

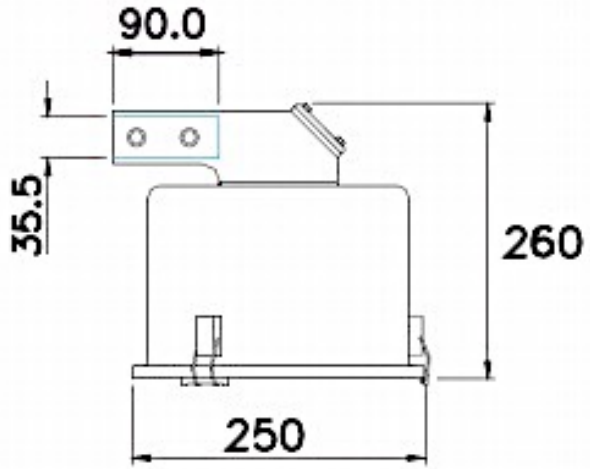
Em
Emin
Emin/Eav (Uo)

Reference plane 1.1

Horizontal
47 lx
33.6 lx
0.71



Dimensions



Keyhole version - surface mount



Ordering Guide

| MODEL | | MOUNTING TYPE | BODY MATERIAL | WATTAGE | | LAMP SOURCE | LAMP COLOUR TEMPERATURE | AUXILIARY EMERGENCY | RETROFIT KIT | REMOTE GEAR OPTION | SPECIAL | # | # |
|-------|---|------------------------------|---------------------------|-----------------------------------------|---|-------------|-------------------------------------|------------------------------------|--------------|--------------------|-------------------|----|----|
| 1 | 2 | 3 | 4 | 5 | 6 | 7 | 8 | 9 | 10 | 11 | 12 | 13 | 14 |
| H | L | P | S | 3 | 0 | S | | A | K | R | | | |
| | | P - POLEMOUNT K - KEYHOLE | C - CAST S - STAINLESS | * DRIVE CURRENT DERATING ALSO AVAILABLE | | S - SMD LED | 4 - 4000K 5 - 5000K M - AMBER | PLEASE SPECIFY ONLY WHERE REQUIRED | | | INTERNAL USE ONLY | | |



WADCO[®]
LIGHTING
Built tough[™]

P: +61 7 3897 3700

E: wadco@qmi.net.au

W: www.wadco.com.au



Australian made and owned
Trusted since 1975