

BOSSE Linea Safety Shower Light

INDUSTRIAL LED LINEAR ZONE 1 & 2 Safety Shower

WADCO[®]
LIGHTING
Built tough™



Standard 5 year Warranty

Applications

- Emergency safety areas
- Eyewash stations
- Zone 1 & 2 applications

Specifications

- Die cast aluminium
- Wattage: 34W/37W
- 775mm(L) x 108mm(H) x 174mm(Depth)
- Weight: 6kg or 7kg with Emergency lighting
- Lumens: 519
- Supply voltage: 110V-254V
- Optics: Elliptical


Options

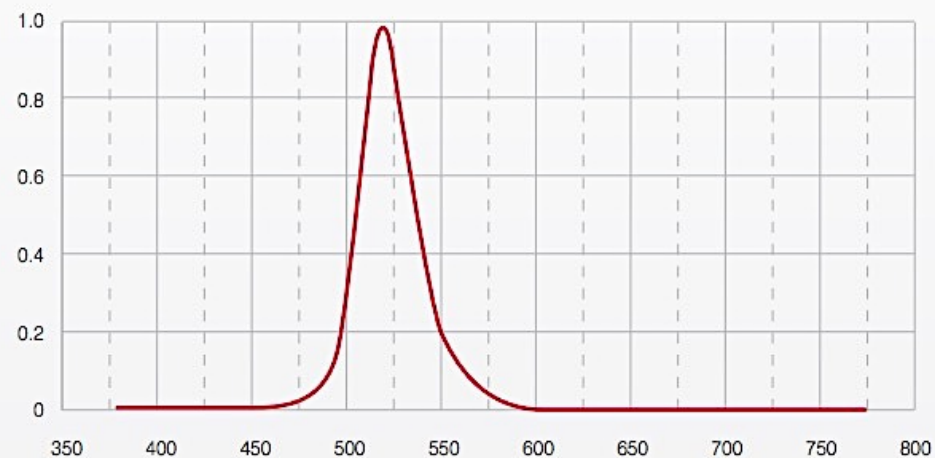
- Surface mount
- Pole mount
- Integrated light sensor
- Emergency lighting

Dominant Wavelength

Optical

LED type: Platinum SMT LEDs

Dominant Wavelength: 519nm (true green) 



LINEAR MOUNTING - ACCESSORIES



CEILING MOUNTING KIT



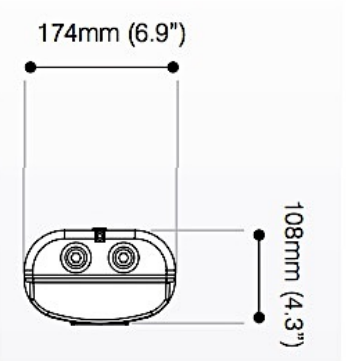
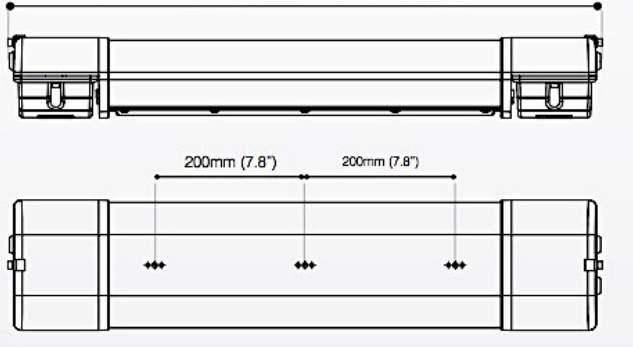
SWIVEL MOUNT KIT



WALL MOUNTING OUTREACH BRACKET

Dimensions

775mm (30.5) for Standard & Emergency



Ordering Guide

MODEL			MOUNTING TYPE				WATTAGE			CLASSIFICATION - ZONE(1) OR (2)		LAMP COLOUR TEMPERATURE		AUXILIARY EMERGENCY OPTION		
W	B	L					3	7	S	Z	1	G	M	E		
												GREEN				

WADCO[®]
LIGHTING
Built tough[™]

P: +61 7 3897 3700

E: wadco@qmi.net.au

W: www.wadco.com.au



Australian made and owned
Trusted since 1975