

AL60 Floodlight

HIGH-MAST FLOODLIGHT

WADCO[®]
LIGHTING
Built tough™



Standard 5 year Warranty

Applications

- Draglines
- Preparation plants
- Parking zones
- Security lighting
- Stockpile lighting

Specifications

- Die cast aluminium
- Wattage: 1500W
- 690mm(L) x 350mm(H) x 525mm(D)
- Weight: 27kg
- Lumens: 160,000
- Supply voltage: 240V-415V

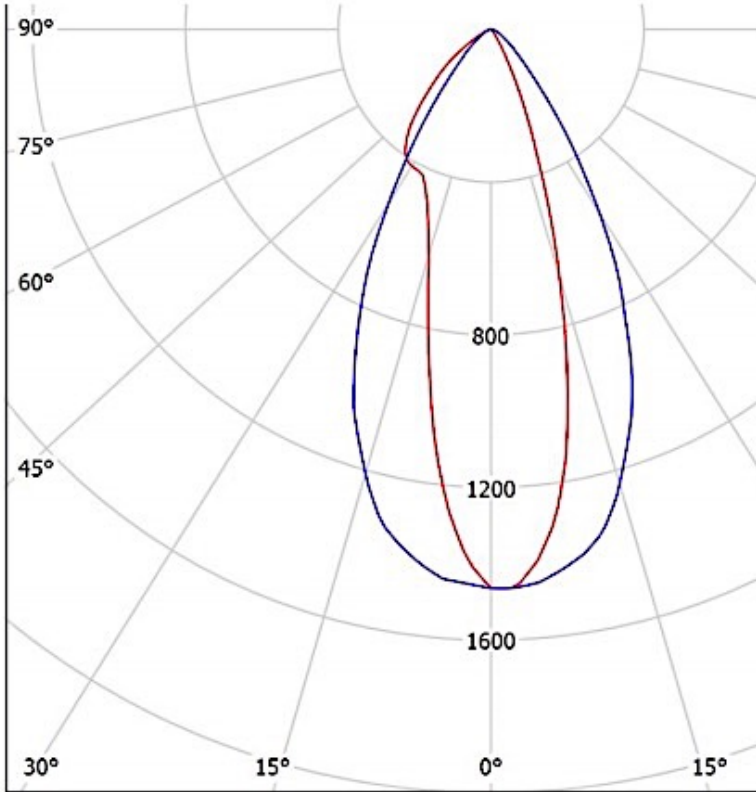
Options

- Narrow, medium or wide distribution of light
- Defined cut-off to reduce glare
- “Turtle friendly”

Polar Curve

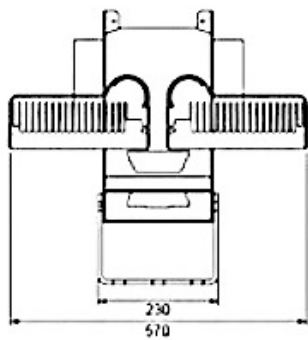
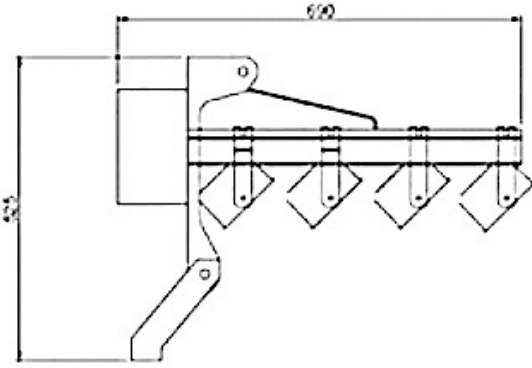
1550W FIXTURE

CODE - BK1500S75N



cd/klm
— C0 - C180 — C90 - C270

Dimensions



Ordering Guide

MODEL		WATTAGE				LAMP SOURCE	LAMP CRI	LAMP COLOUR TEMPERATURE	DIMMING OPTION			
B	K	1	5	0	0	S			N	6	0	
* DRIVE CURRENT DERATING AVAILABLE						S - SMD LED	7 - CRI70 *	5 - 5000K	N - NON DIMMING	9	0	
							8 - CRI80 *			1	8	0
										* BEAM ANGLE (PLEASE SPECIFY)		



WADCO[®]
LIGHTING
Built tough[™]

P: +61 7 3897 3700

E: wadco@qmi.net.au

W: www.wadco.com.au



Australian made and owned
Trusted since 1975